

OPERATING INSTRUCTIONS

SAFETY FIRST!

1. Never allow the camper jack to be occupied while it is being loaded or unloaded.
2. Never raise the rear of the camper higher than the front of the camper.
3. Always check to be sure that all tie-down devices and electrical devices are disconnected from the vehicle body.
4. Do not load camper on a windy day. The amount of wind that is dangerous depends on your exposure, weight of the camper, etc.
5. Only store your camper on level ground.

LOADING CAMPER

1. Crank the 4 base pads to the ground and be sure that the pads have solid footing to prevent tipping or sinking.
2. Raise the front two jacks 3" to 4" only. Then raise the rear two jacks until the camper is level with the front. Always be sure that the front jacks are never lower than the rear jacks; they must always be level with, or higher than the rear.
3. Continue with the above lifting procedure until the camper is approximately 6" above the truck bed or until it clears the highest point of the truck bed. Adjust all units by additional raising of each unit to compensate for uneven ground surface.
4. Cautiously back the truck under the camper, make sure you are aligned so as not to hit or rub camper jacks, wheel wells or fenders.
5. Always drop rear of camper first about 3" or 4" at a time. Always lower the rear jacks first, then the front jacks until level with the rear, then lower the rear jacks again. Continue with this procedure until the desired height is reached. Be careful when lowering jacks. Each jack has what is known as built-in stops. Never exert pressure against these stops because there is danger of damage to the gears.

UNLOADING THE CAMPER

1. When choosing a location for unloading the camper, select the firmest ground available. Crank the 4 base pads to the ground and be sure that the pads have solid footing to prevent tipping or sinking.
2. Raise the front two jacks 3" to 4" only.
3. Raise the rear two jacks until the rear of the camper is level with the front.
4. Continue with the above lifting procedure until the camper is approximately 6" above the truck bed or until it clears the highest point of the truck bed.
5. Drive the truck forward taking care not to hit or rub the camper jacks or wheel wells.

LOWERING CAMPER

1. Always drop the rear of the camper first about 3" or 4" at a time. Always lower the rear jacks first, then the front jacks until level with the rear, then lower the rear jacks again. Continue to lower camper all the way, keeping front slightly higher. Be careful when lowering jacks. Each jack has what is known as built-in stops. Never exert pressure against these stops because there is danger of damage to gears.

CAMPER STORAGE

Do not use the jacks for storage of camper. Camper should be lowered and stored on a sturdy base.

All statements, technical information and recommendations contained herein are based on tests we believe are reliable, but the accuracy or completeness thereof is not guaranteed, and the following is made in lieu of all warranties, expressed or implied. Seller's and manufacturer's only obligation shall be to replace such quantity of the product proved to be defective in accordance with published Warranty Policy. Neither seller nor manufacturer shall be liable for any injury, loss or damage, direct or consequential, arising out of the use of or inability to use this product. Before using, user shall determine the stability of the product for his intended use, and user assumes all risk and liability whatsoever in connection therewith.

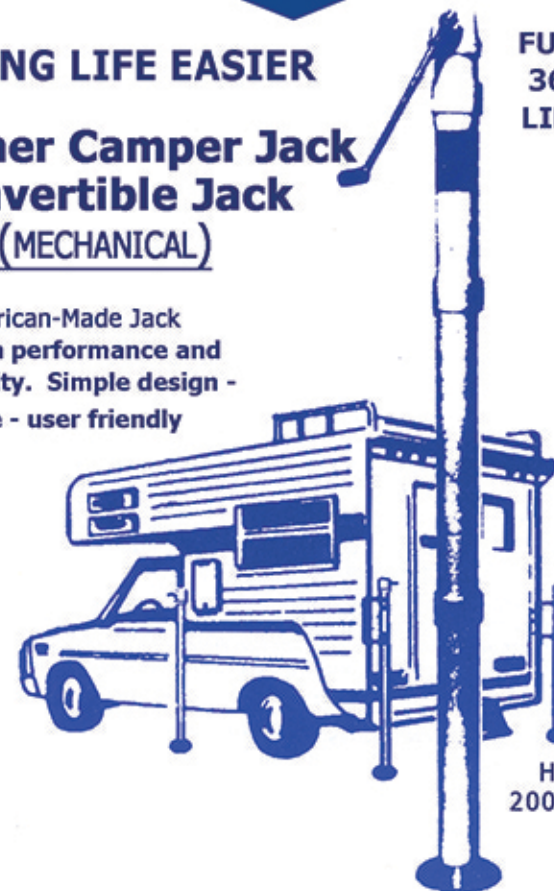


MAKING LIFE EASIER

4-Corner Camper Jack Convertible Jack (MECHANICAL)

FULL
36"
LIFT

The All American-Made Jack
with proven performance and
dependability. Simple design -
trouble free - user friendly



HEAVY DUTY
2000 lb. capacity
per jack

Instructions for Installation, Operation and Maintenance

The superior design and construction of RIECO-TITAN CAMPER JACKS give them tremendous load bearing strength with simple and easy maintenance. Before the jacks are used be sure you thoroughly understand just how they are to be installed and operated.

RIECO-TITAN PRODUCTS, INC.

965 LAMBRECHT ROAD, FRANKFORT, ILLINOIS 60423

P: 815.464.7400 ♦ F: 815.469.4705 ♦ www.riecotitan.com

How to Install Rieco-Titan Camper Jacks

1. Assemble the 2 Pc. bracket together using the 3/8" bolts and the push nuts furnished. Use this as a template to mark each corner. Mount the brackets on the four outside corners, starting with the two front brackets. Mount the top of the rear brackets at the same height as the front brackets. (see Fig. 1)
2. Mark, saw and remove bracket length of trim strip which will be replaced by the brackets.
3. Tap down ribbed aluminum with mallet so brackets will draw tight to coach.
4. Place a thin strip of sealer compound on each side of corner and across top of brackets.
5. Mount brackets so that the flat side of brackets (double wall thickness - 2 layers) extends away from the front and rear of camper (see Fig. 2).
6. Caution should be taken so as to not twist off screw heads or strip threads in wood.
7. Tap down brackets and drill holes with a 5/32" drill and turn in screws on alternate sides of brackets. Tighten all screws.
8. Retighten screws in brackets after lifting camper a few times.
9. Place the two wall thickness of the brackets between the two flanges of the clamp that is on the jack, and insert a bolt through the holes of the clamp and bracket. BE SURE TO PLACE A FLAT WASHER UNDER THE BOLT HEAD AND UNDER THE NUT. Tighten just enough to keep jack from slipping. (see Fig. 2) For a tighter fit, put both flanges of the clamp on one side of the bracket.
10. Adjust the jack to the desired height. Repeat step No. 9 for the bottom clamp. Rotate jack so that the crank shaft faces outward.
11. Repeat steps 9 and 10 for the remaining three jacks, adjusting the rear jacks the same height as the front jacks and TIGHTEN ALL NUTS SECURELY.
12. After removing camper from truck, set on blocks or on ground. Use jacks for stabilizers. **THESE JACKS ARE FOR LOADING AND UNLOADING ONLY. NOT FOR PERMANENT STORAGE OR USE WHILE CAMPER IS IN RAISED POSITION**
13. Finally, apply a liquid such as Mother's Polish, McGuires, or Turtle Wax to the entire surface of the jack and brackets, as this will prevent corrosion and maintain beauty of the jacks. An excellent alternate is Mercury's Corrosion Guard.

LIMITED WARRANTY

The TITAN 4-Corner Mechanical Jack is warranted against manufacturing defects and workmanship for one (1) year from the date of purchase. Within this period, RIECO-TITAN PRODUCTS, INC. will at its option, repair or replace the product or any part thereof without charge for parts and labor. To exercise the warranty, the product and the original invoice must be returned to RIECO-TITAN PRODUCTS, INC., freight prepaid and insured.

This warranty does not apply in the following cases: improper installation, misuse, failure to follow installation and operating instructions, alterations, abuse, tampering or accident.

All statements, technical information and recommendations contained herein are based on tests we believe to be reliable, but the accuracy or completeness thereof is not guaranteed, and the following is made in lieu of all warranties expressed or implied. Sellers and manufacturer's only obligation shall be to replace such quantity of the product proved to be defective in accordance with published Warranty Policy. Neither seller nor manufacturer shall be liable for any injury, loss or damage, direct or consequential arising out of the use or the inability to use the product. Before using, user shall determine the stability of the product for his intended use, and user assumes all risk and liability whatsoever in connection therewith.

Except as provided herein, RIECO-TITAN PRODUCTS, INC., makes no express warranties and any implied warrant of merchantability of fitness for a particular purpose is limited to the duration of the written limited warranties set forth herein.

There will be charges rendered on repairs to the product made after the expiration of the aforesaid one year Warranty Period.

RIECO-TITAN PRODUCTS, INC. 965 LAMBRECHT RD, FRANKFORT, IL 60423 - (815)464-7400 FAX (815)469-4705

www.riecotitan.com

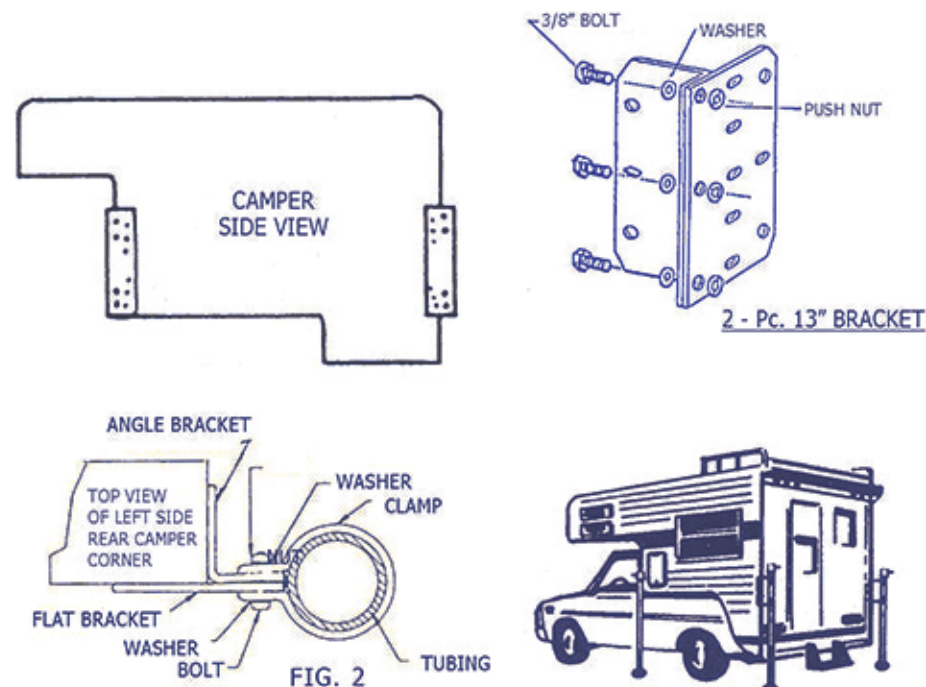
Bracket kits are sold separately. Please check our website store for more information.

Jacks w/ C Clamps

- 55120 Bracket Kit, Narrow - Zinc
- 55121 Bracket Kit, Narrow - White
- 55122 Bracket Kit, Narrow - Black
- 55130 Bracket Kit, Wide, - Zinc
- 55131 Bracket Kit, Wide, - White
- 55132 Bracket Kit, Wide, - Black

Jacks w/ Fixed Mounting Plate

- 55150 Bracket Kit, Narrow - Zinc
- 55151 Bracket Kit, Narrow - White
- 55152 Bracket Kit, Narrow - Black
- 55170 Bracket Kit, Wide, - Zinc
- 55171 Bracket Kit, Wide, - White
- 55172 Bracket Kit, Wide, - Black



MAINTENANCE

Rieco-Titan's three guide bearings are permanently lubricated. However, about once a year remove gear cover and apply a light grease to gears, and a few drops of oil to the bearings. In coastal, rainy or humid areas, we recommend that a liquid wax such as Mother's Polish or Turtle Wax be applied to the entire surface of the jacks. Keep the wax intact with a spray wax periodically. Repeat each year. An excellent alternate is Mercury's Corrosion Guard.

